



SS32A THRU SS320A

Surface Mount Schottky Rectifier

Features

- Low profile package
- Ideal for automated placement
- Guardring for overvoltage protection
- Low power losses, high efficiency
- High forward surge capability
- Meets MSL level 1, per J-STD-020, LF maximum peak of 260 °C

Typical Applications

For use in low voltage high frequency inverters, freewheeling, DC/DC converters, and polarity protection applications.

Mechanical Data

Package: DO-214AC (SMA)
Molding compound meets UL 94 V-0 flammability rating, VI the load is not to be used

Maximum Ratings (T_a=25 °C Unless otherwise specified)

PARAMETER	Symbol	Unit	Value
Average rectified output current 460Hz sine wave resistance load (FIG. 1)	I _o	A	3.0
Surge (non-repetitive) forward current 460Hz half-sine wave 1 cycle T _a 25 °C	I _{FSM}	A	70
Storage temperature	T _{stg}		-55 ~ +150
Junction temperature	T _j		-55 ~ +125 -55 ~ +150

v 7KHUPDO & KDUDFWHUBQWHW RWKHUZLVH VSHFLILHG

3\$5\$0(7(5	6<0%2/	81,7	66							
			\$	\$	\$	\$	\$	\$	\$	\$
7KHUPDO UHVLVW	5 - \$	- :								
	5 - /									

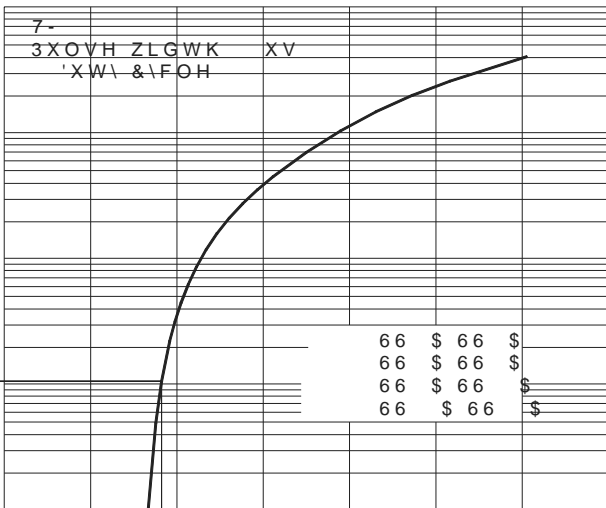
1RWH

7KHUPDO UHVLVWDQWR DPER HQXV FVLR QROR GMR RQWRIG WQ 3 & % ZLWK \$HU SDG DRUHD

v & KDUDFWHULS WFLDFV

,QVWDQWDQHRXV)RUZDUG & XUHHQW \$

),* 7<3,&\$/)25:\$5' &+\$5\$&7(5,67,&6



3fÅ 4Ð B)" B ‡(H!aV2(*"sB FPÀ P" 8Áf% PT À`q(H!aV@† # 8?À P" 8@† # 8? Àñ h&P pl0sB s@ CE'Af kplFöt" # qt%e,wP "sB li "

,QVWDQWDQHRXV)RUZDUG 9ROWDJH 9

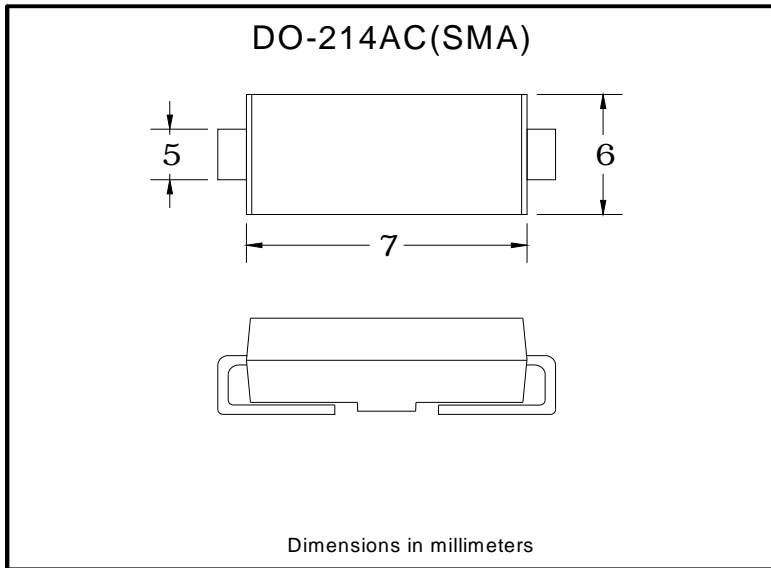


SS32A THRU SS320A

Ordering Information (Example)

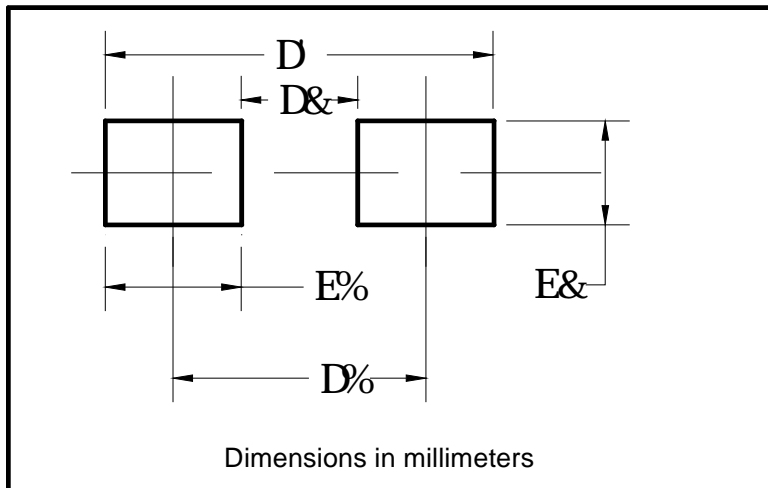
PREFERRED P/N	PACKAGE CODE	UNIT WEIGHT(g)	MINIMUM PACKAGE(pcs)	INNER BOX QUANTITY(pcs)	OUTER CARTON QUANTITY(pcs)	DELIVERY MODE
SS32A-SS320A	F1	Approximate 0.059	5000	/	80000	13" reel
SS32A-SS320A	F2	Approximate 0.059	7500	/	120000	13" reel
SS32A-SS320A	F3	Approximate 0.059	7500	/	60000	13" reel
SS32A-SS320A	F4	Approximate 0.059	1800	7200	57600	7" reel
SS32A-SS320A	F5	Approximate 0.059	2000	8000	64000	7" reel
SS32A-SS320A	F6	Approximate 0.059	5000	/	100000	13" reel

Outline Dimensions



DO-214AC(SMA)		
Dim	Min	Max
A	1.25	1.58
B	2.40	2.83
C	4.00	4.75
D	1.90	2.30
E	4.93	5.28
F	0.76	1.41
G	0.05	0.20
H	0.15	0.31
I	1.70	2.10

Suggested Pad Layout



DO-214AC(SMA)	
Dim	Millimeters
P1	4.00
P2	1.50
P3	6.50
Q1	2.50
Q2	1.70



SS32A THRU SS320A

Disclaimer

The information presented in this document is for reference only. Yangzhou Yangjie Electronic Technology Co., Ltd. reserves the right to make changes without notice for the specification of the products displayed herein to improve reliability, function or design or otherwise.

The product listed herein is designed to be used with ordinary electronic equipment or devices, and not designed to be used with equipment or devices which require high precision or high reliability.